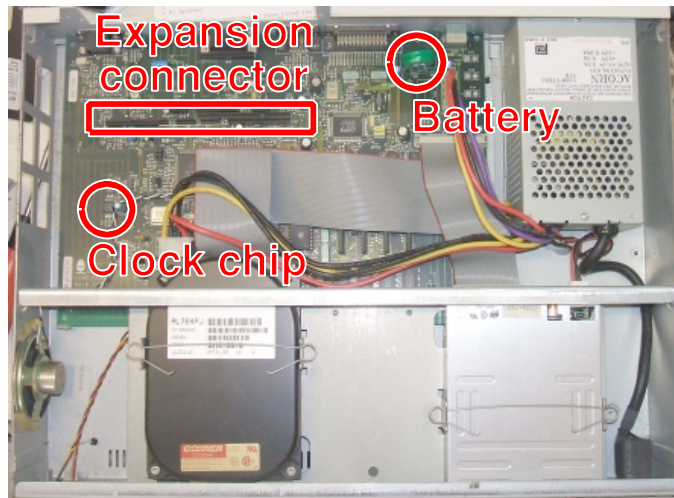


Replacement Clock MiniPodule for the A4000

Before fitting the replacement clock, it is important to first remove the battery and disable the original clock chip on your motherboard. Firstly, remove the case from the computer, leaving only the bottom tray. Details of how to do this are in the Welcome Guide.



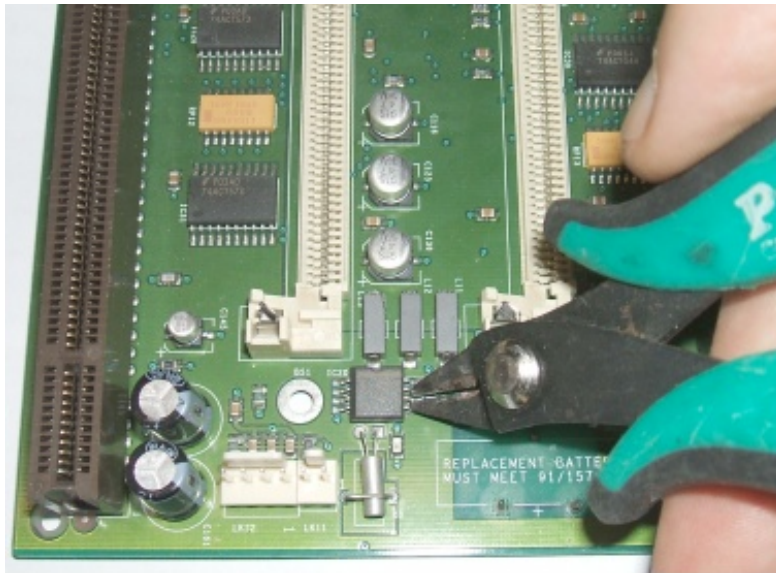
Location of the battery, clock chip & expansion connector on the motherboard

Locate the battery at the back right hand side of the motherboard, and carefully snip the legs holding it to the board, taking care not to damage the surrounding board. Clean away any dirt or corrosion from around the area using a soft brush.



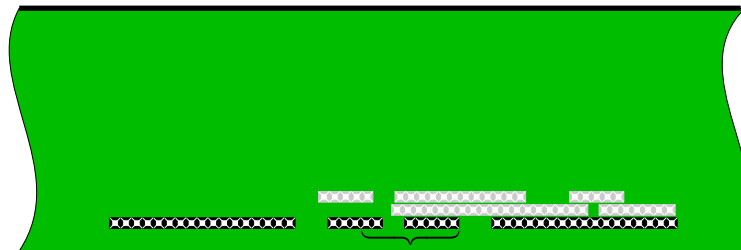
The clock chip on the A30x0 motherboard, just in front of the keyboard connector

Locate the clock chip, marked "8583T", (see photos above). This will be on the left hand side of the motherboard, up from the Acorn Computers logo. Using a pair of fine side cutters, carefully snip the two legs (pins 5 & 6) shown in the photo. This will isolate the chip from the data lines, allowing the CJE module to replace it.



Cut the legs of the clock chip, as shown. (Depending on your computer, the chip may be in a different position on your motherboard, but the legs are the same.)

Plug the CJE replacement clock module into the Expansion connector. The Expansion Connector has three rows of pins, with the front row being split into four sockets - 17pin, 5pin, 5pin and 17pin. The clock module fits in this front row, with the five pins in the right hand 5pin socket, and two pins in the lefthand 5pin socket.



Fit the clock module here



Replace the cover on your computer, ready to switch it on. Start the computer whilst holding down the DELETE key, to reset the CMOS settings. Once the computer has reached the desktop, you will need to set the date and time to the correct values, in the normal way, along with any other custom settings you may have had.